

## High Power Splitters

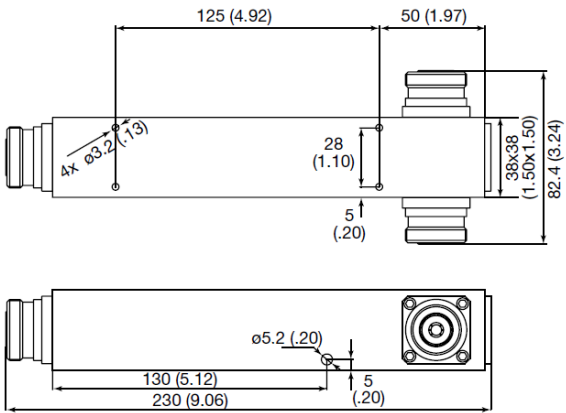
### HPDH-xW-B-DF

- ◆ 7/16 (DIN) Female Connectors
- ◆ Multiband frequency range: SMR/cellular, PCS, UMTS, and LTE
- ◆ 700 watt average power rating
- ◆ Minimal RF insertion loss
- ◆ Very low passive intermodulation (PIM)
- ◆ High reliability
- ◆ Designed for indoor and outdoor applications
- ◆ Supplied with spring clip accessory for ease of mounting to wall

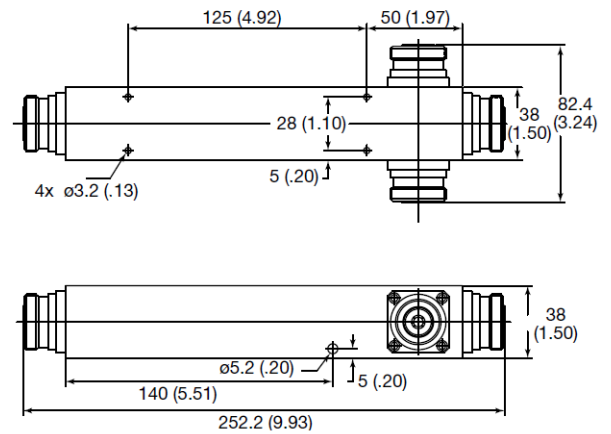


	HPDH-2W-B-DF	HPDH-3W-B-DF	HPDH-4W-B-DF
No. of Ways	2	3	4
Freq. Range (MHz)	698—2700		
VSWR	1.2:1	1.25:1	1.35:1
Split Loss (dB nom.)	3.0	4.8	6.0
Insertion Loss (dB max.)	0.1	0.2	0.2
Power Rating (watts)	700		
PIM (dBc) *	-150		
Impedance ( $\Omega$ nom.)	50		
Temperature Range (C)	-30° to +85°		
Relative Humidity (%)	0 to 100		
Applications	Indoor / Outdoor, IP65 rating		
Connectors	7/16 (DIN) Female		
Connector Finish	Inner layer—Silver plate / Outer layer—Cu-Sn-Zn plate		
Housing Finish	Black powder paint		
Weight, g (lb)	970 (2.14)	1080 (2.38)	1170 (2.58)

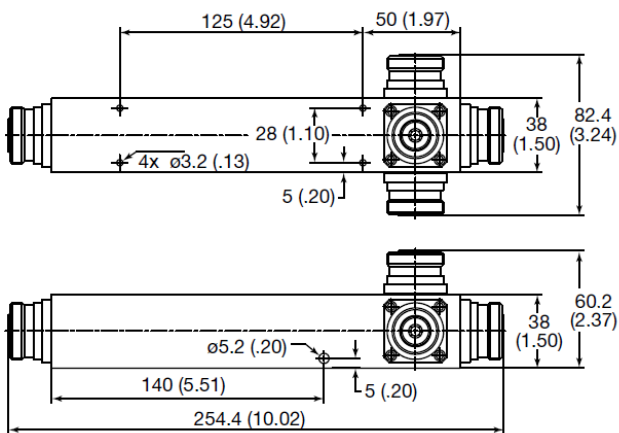
\* : PIM 3rd order dBc @ 2x 43 dBm



**HPDH-2W-B-DF**



**HPDH-3W-B-DF**



**HPDH-4W-B-DF**

