

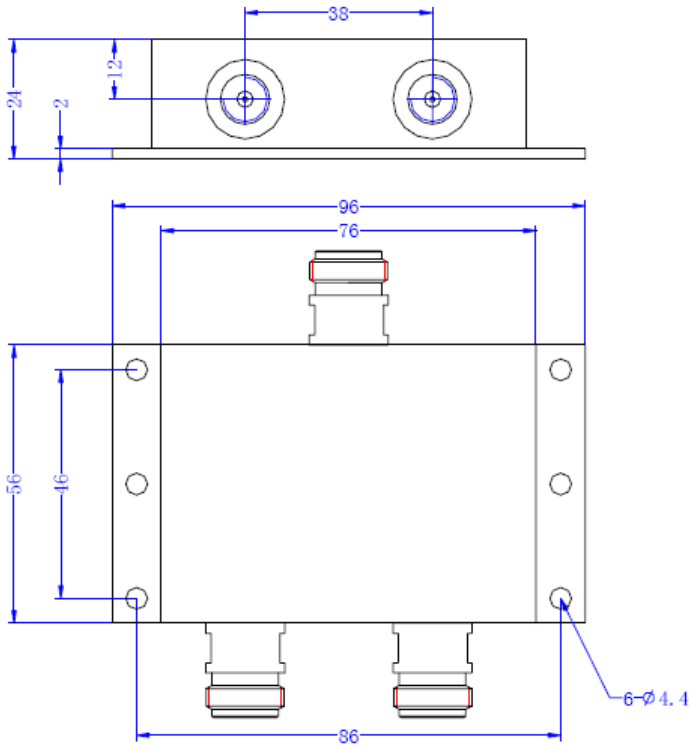
## POWER SPLITTER

### HPD-xW-B-NF

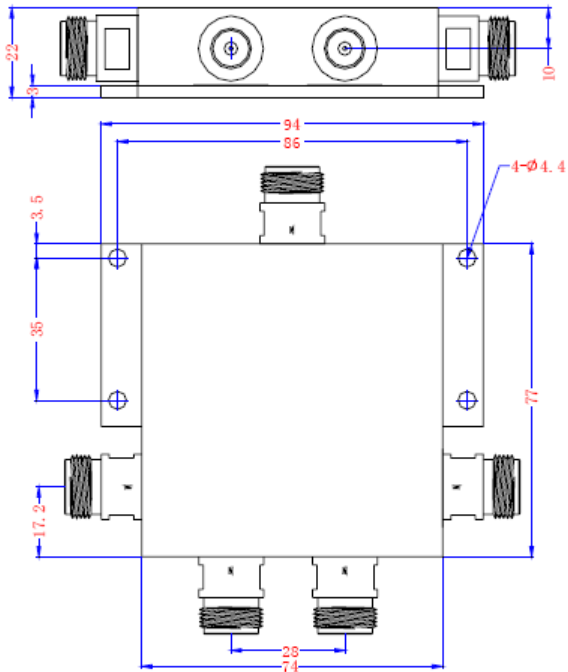
- ◆ 800 – 2,500MHz Multi Band
- ◆ 30 Watt Avg. Power Rating
- ◆ High Isolation
- ◆ Low RF Insertion Loss
- ◆ N type Connectors



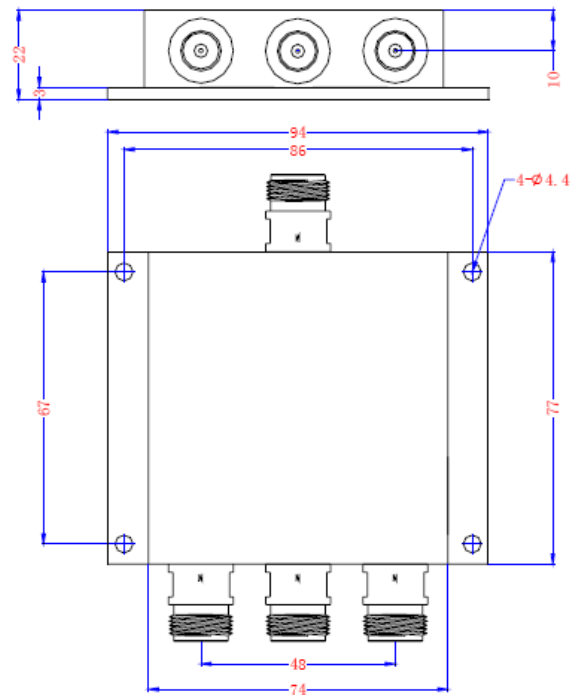
	2-Way	3-Way	4-Way
	HPD-2W-B-NF	HPD-3W-B-NF	HPD-4W-B-NF
<b>Electrical</b>			
Frequency Range, MHz	800-2,500		
Power Rating, W	30		
Isolation, dB min.	22	20	20
Amplitude Balance, max.	0.3dB	0.35dB	0.35dB
Insertion Loss, dB	0.3	0.6	0.7
Input VSWR max.	1.25:1	1.30:1	1.30:1
Output VSWR max.	1.20:1	1.25:1	1.25:1
Impedance,Ω	50Ω nominal		
<b>Mechanical</b>			
Housing	Passive Aluminum		
Connector Type	N Type Female		
Temperature Range	-30°C to +50°C		
Applications	Indoor,0-90%RH		
Weight nom. oz(g)	8.9(250)	14.0(400)	14.0(400)



**HPD-2W-B-NF**



**HPD-4W-B-NF**



**HPD-3W-B-NF**