

- ◆ Multi-Band Frequency Ranges
Cellular, UMTS and WLAN
- ◆ 500 Watt Average Power
- ◆ Minimal RF Insertion Loss
- ◆ High Reliability
- ◆ IP67, RoHS compliant
- ◆ Low Specified PIM
- ◆ Low Cost, Low Weight Design



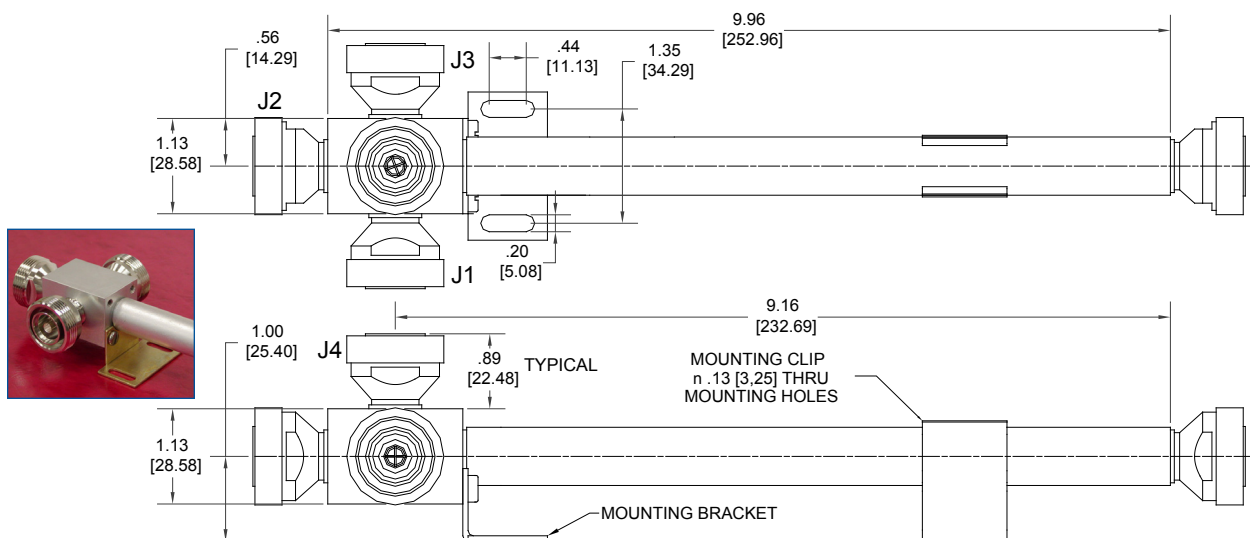
Microlab Model Dx-85FD series of 2, 3 and 4 way Power Splitters has been designed to evenly split high power cellular signals with minimal reflections and loss. Joints are moisture sealed with gaskets to meet IP67. The rugged, lightweight design can be easily attached to a wall with the supplied bracket and clip.

The wide frequency range allows use with multiband antennas and leaky cable systems. With few solder joints and an air dielectric, the loss is minimized and reliability enhanced. Units also available with N and 4.1-9.5 DIN connectors. (07/14)

Impedance:	50Ω nominal
Power Rating:	500W avg, 3kW pk.
PIM, Passive IM:	<-153 dBc* (2 tones at +43 dBm)
Environment:	-35°C to +75°C, IP67 RoHS compliant
Finish: Connectors:	7-16 (f), Silver or triplate
Housing:	Passivated aluminum
Mounting:	Bracket and clip supplied

*Higher PIM performance to order

Model Number	No. of Ways	Frequency Band, MHz	Split Loss	Insertion Loss	Amplitude Balance, typ.	Input VSWR	Power Rating Avg Peak	Weight, nom. lbs. (kg)
D2-85FD	2	698 - 2700	3 dB	<0.05 dB	0.15dB	<1.15:1	500W 3 kW	0.85 (0.39)
D3-85FD	3	698 - 2700	4.8 dB	<0.05 dB	0.25dB	<1.15:1	500W 3 kW	1.00 (0.45)
D4-85FD	4	698 - 2700	6 dB	<0.05 dB	0.25dB	<1.25:1	500W 3 kW	1.15 (0.53)



Note: D2-85FD 2 way Splitter delete J3 & J4
 D3-85FD 3 way Splitter delete J4
 D4-85FD 4 way Splitter as drawn.

All dimensions are ± 0.06 inches
 unless otherwise noted.
 Dimensions in mm are for reference only