

## Directional Couplers

### HDC-Cxx-NF

- ◆ N Female Connectors
- ◆ Multiband frequency coverage
- ◆ 200 watt average main line power
- ◆ Minimal RF insertion loss
- ◆ Very low passive intermodulation (PIM)
- ◆ High reliability
- ◆ Air-dielectric



	HDC-C06-NF	HDC-C08-NF	HDC-C10-NF
Freq. Range (MHz)		698—2700	
VSWR		1.2:1	
Insertion Loss (dB)	1.5	1.1	0.7
Coupling Loss (dB)	6±1.0	8±1.0	10±1.0
Power Handling (watts)		200	
Max. Reflected Power, Through Port (watts)	40	70	100
Isolation (dB min.)	26	28	30
PIM (dBc) *		-150	
Impedance ( $\Omega$ nom.)		50	
Temperature Range (C)		-35° to +85°	
Relative Humidity (%)		0 to 100	
Applications		Indoor / Outdoor, IP65 rating	
Connectors		N Female	
Connector Finish		Inner layer—Silver plate / Outer layer—Cu-Sn-Zn plate	
Housing Finish		Black powder paint	
Weight, g (lb)		375 (0.83)	

\* : PIM 3rd order dBc @ 2x 43 dBm

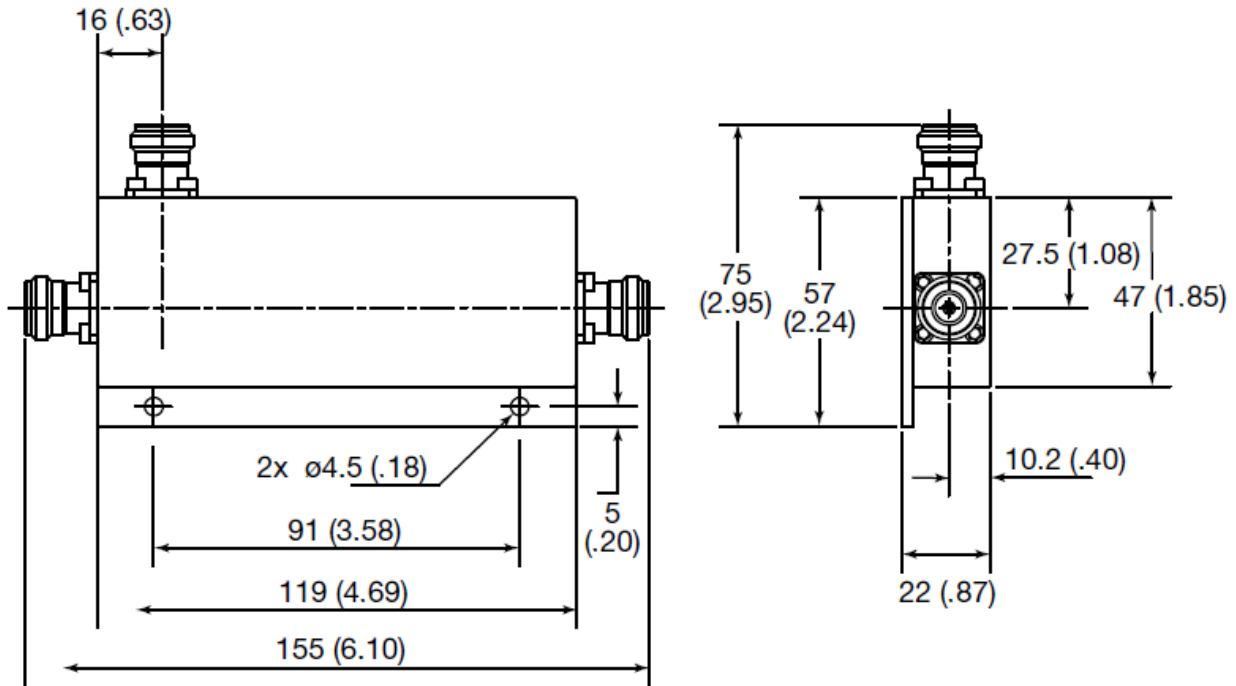


# 禾豐開發科技有限公司 HONOVA RESOURCES LTD.

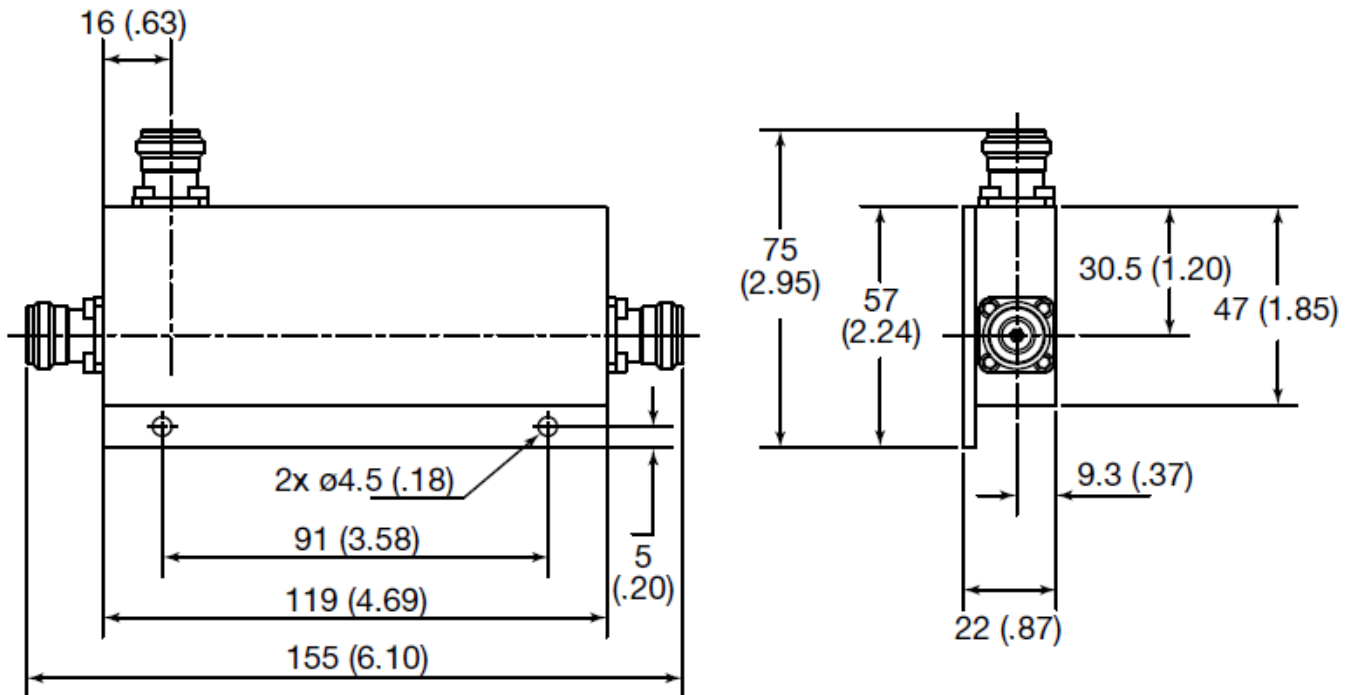
	HDC-C13-NF	HDC-C15-NF	HDC-C20-NF	HDC-C30-NF
Freq. Range (MHz)	698—2700			
VSWR	1.2:1			
Insertion Loss (dB)	0.5	0.4	0.2	0.2
Coupling Loss (dB)	13±1.0	15±1.0	20±1.0	30±1.0
Power Handling (watts)	200			
Max. Reflected Power, Through Port (watts)	200	200	200	200
Isolation (dB min.)	33	35	40	50
PIM (dBc) *	-150			
Impedance ( $\Omega$ nom.)	50			
Temperature Range (C)	-35° to +85°			
Relative Humidity (%)	0 to 100			
Applications	Indoor / Outdoor, IP65 rating			
Connectors	N Female			
Connector Finish	Inner layer—Silver plate / Outer layer—Cu-Sn-Zn plate			
Housing Finish	Black powder paint			
Weight, g (lb)	375 (0.83)			

\* : PIM 3rd order dBc @ 2x 43 dBm





HDC-C06-NF & HDC-C08-NF



HDC-C10-NF、HDC-C13-NF、HDC-C15-NF、HDC-C20-NF、HDC-C30-NF