

Directional Couplers

HDC-Cxx-DF

- ◆ 7/16 (DIN) Female Connectors
- ◆ Multiband frequency coverage
- ◆ 200 watt average main line power
- ◆ Minimal RF insertion loss
- ◆ Very low passive intermodulation (PIM)
- ◆ High reliability
- ◆ Air-dielectric



	HDC-C06-DF	HDC-C08-DF	HDC-C10-DF
Freq. Range (MHz)		698—2700	
VSWR		1.2:1	
Insertion Loss (dB)	1.5	1.1	0.7
Coupling Loss (dB)	6±1.0	8±1.0	10±1.0
Power Handling (watts)		200	
Max. Reflected Power, Through Port (watts)	40	70	100
Isolation (dB min.)	26	28	30
PIM (dBc) *		-150	
Impedance (Ω nom.)		50	
Temperature Range (C)		-35° to +85°	
Relative Humidity (%)		0 to 100	
Applications		Indoor / Outdoor, IP65 rating	
Connectors		7/16 (DIN) Female	
Connector Finish		Inner layer—Silver plate / Outer layer—Cu-Sn-Zn plate	
Housing Finish		Black powder paint	
Weight, g (lb)		900 (1.98)	

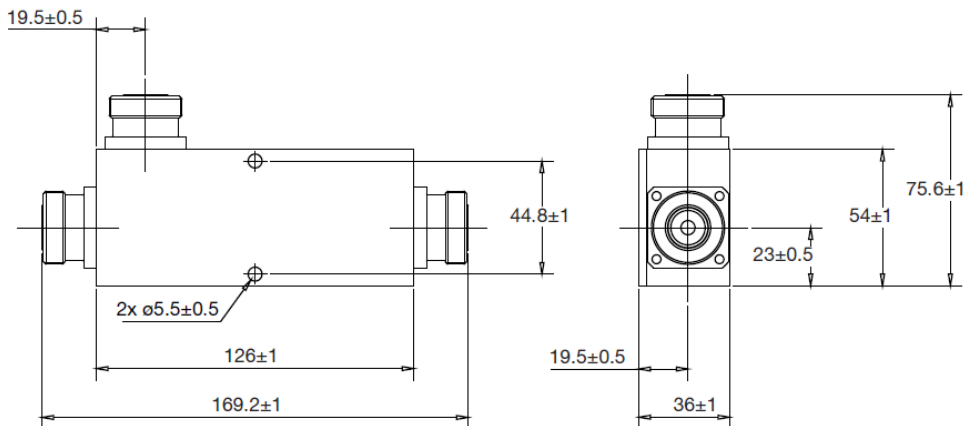
* : PIM 3rd order dBc @ 2x 43 dBm



禾豐開發科技有限公司 HONOVA RESOURCES LTD.

	HDC-C13-DF	HDC-C15-DF	HDC-C20-DF	HDC-C30-DF
Freq. Range (MHz)	698—2700			
VSWR	1.2:1			
Insertion Loss (dB)	0.5	0.4	0.2	0.2
Coupling Loss (dB)	13±1.0	15±1.0	20±1.0	30±1.0
Power Handling (watts)	200			
Max. Reflected Power, Through Port (watts)	200			
Isolation (dB min.)	33	35	40	50
PIM (dBc) *	-150			
Impedance (Ω nom.)	50			
Temperature Range (C)	-35° to +85°			
Relative Humidity (%)	0 to 100			
Applications	Indoor / Outdoor, IP65 rating			
Connectors	7/16 (DIN) Female			
Connector Finish	Inner layer—Silver plate / Outer layer—Cu-Sn-Zn plate			
Housing Finish	Black powder paint			
Weight, g (lb)	900 (1.98)			

* : PIM 3rd order dBc @ 2x 43 dBm



HDC-Cxx-DF

15F-7., No.880, Jhongjheng Rd., Jhonghe Dist., New Taipei City 235, Taiwan, R.O.C.
 新北市中和區中正路880號15樓-7 TEL : 886-2-8228-6089 FAX : 886-2-8228-6039